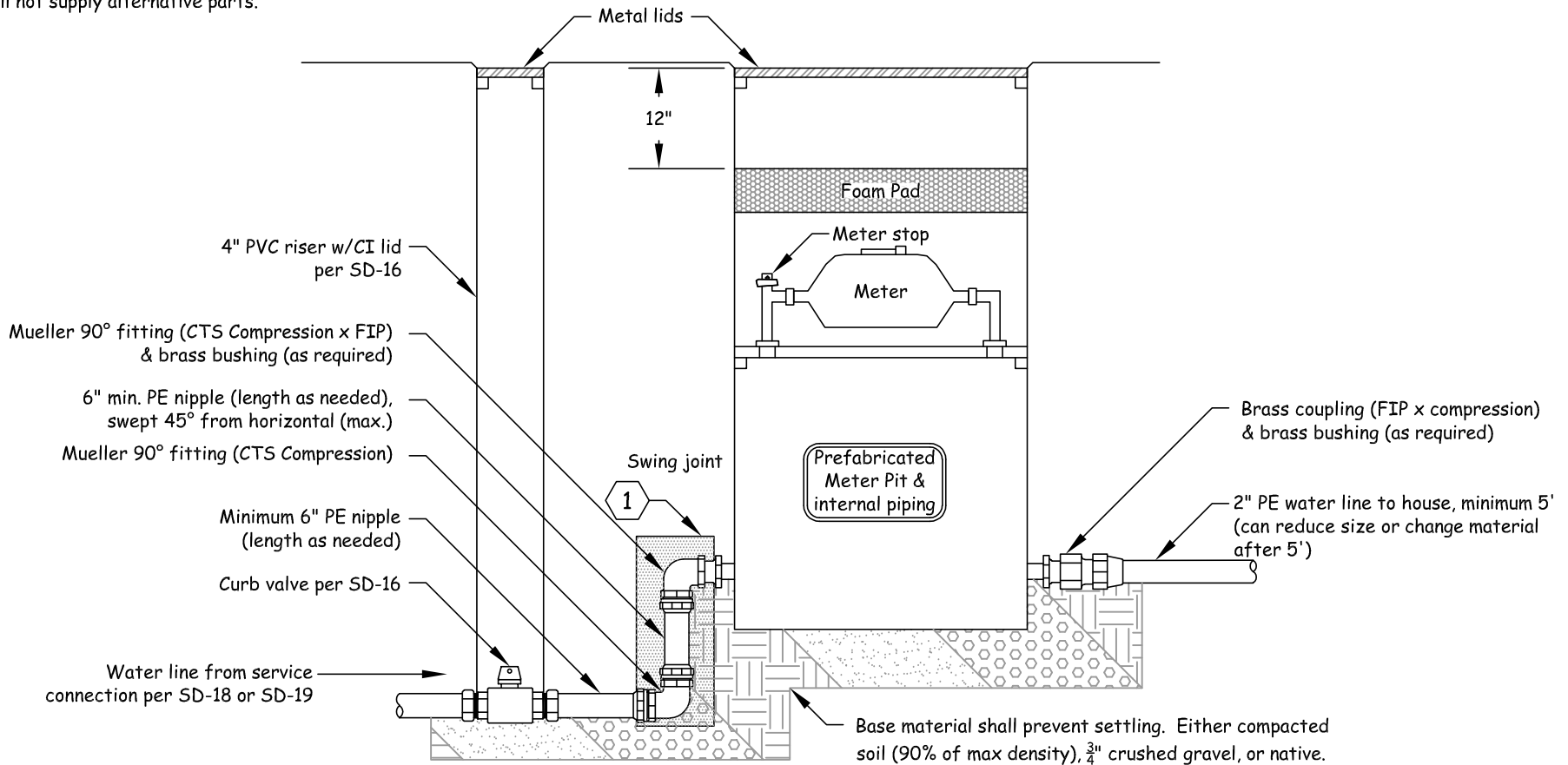


Material Note:
 The fittings and pipe specified are included in meter costs for MCWD Connection Permits. Owner/Contractor can use alternative parts, provided installation meets checklist requirements. MCWD will not supply alternative parts.

For 3/4" to 2" Meters, PE Building Supply and Service Lateral



1. The pipe and fittings provided shall be installed as shown except for the optional bushings. If more adjustment to grade is required than can be made with the pipe and fittings provided, additional pipe may be added to swing joint to make the adjustment to grade.



**MAMMOTH COMMUNITY
 WATER DISTRICT**
 P.O.Box 597 Mammoth Lakes, CA 93546
 (760) 934-2596 FAX: (760) 934-2143

**SD-24.1
 Meter Installation
 PE Lateral**

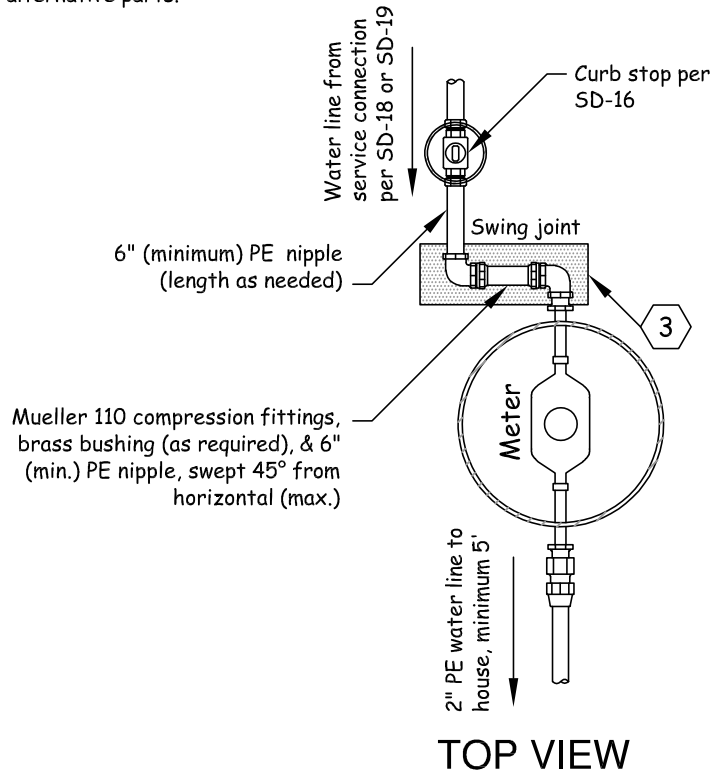
DATE:	2/9/2023
DRAWN:	DEC
APPROVED:	GRH
SCALE:	NTS

\\mcmwdsvr12\MCMCWD_Engineering\Design\AutoCAD\Details\Water_Details\DWG\SD24.2-MeterPE.dwg_2/9/2023 11:26:16 AM dcarlson

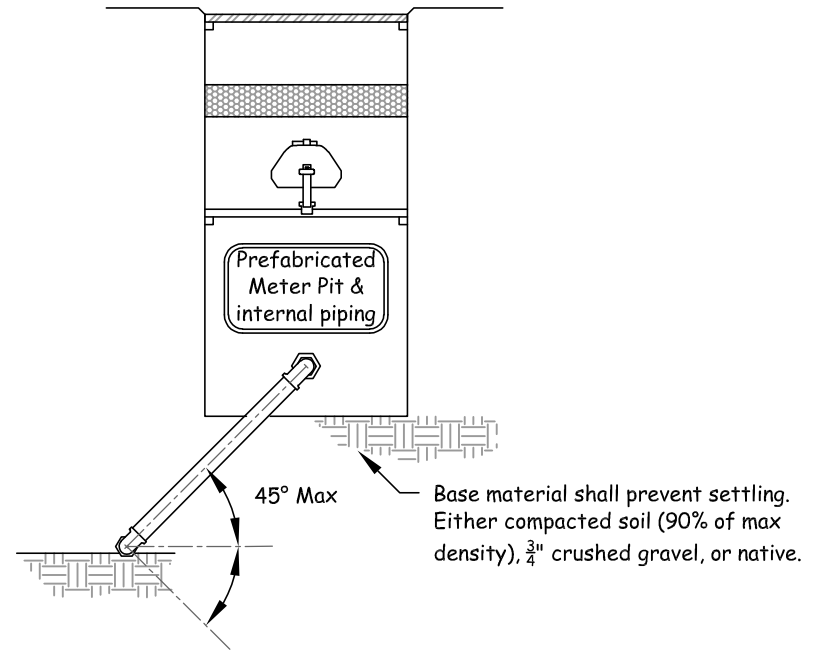
Material Note:

The fittings and pipe specified are included in meter costs for MCWD Connection Permits. Owner/Contractor can use alternative parts, provided installation meets checklist requirements. MCWD will not supply alternative parts.

For 3/4" to 2" Meters, PE Building Supply and Service Lateral



TOP VIEW



SIDE VIEW

NOTES:

1. Meter to be placed at the property line, flush with finish grade in an unpaved area that is not plowed in winter.
2. The foam pad shall be placed 12" below the meter pit lid. The pad creates a pocket of warm air rising from the ground below. Never fill the pit with insulation below the pad.
3. The pipe and fittings provided shall be installed as shown except for the optional bushings. If more adjustment to grade is required than can be made with the pipe and fittings provided, additional pipe may be added to swing joint to make the adjustment to grade.



MAMMOTH COMMUNITY WATER DISTRICT
 P.O.Box 597 Mammoth Lakes, CA 93546
 (760) 934-2596 FAX: (760) 934-2143

SD-24.2
Meter Installation
PE Lateral

DATE:	2/9/2023
DRAWN:	DEC
APPROVED:	GRH
SCALE:	NTS